



Features

The Cassiopea family includes a group of wall washers for outdoor spaces. They have a body of light aluminum with powder coating and a pre-treatment for outdoor use, clear glass, and a silicon rubber gasket. They have an IP66 rating and employ the newest generation of light sources, thus achieving a low heat resistance and high lighting efficiency. They are available in a variety of color temperatures and different body colors.



Product Specifications

Input Voltage	DC 24 V or AC 220V			
Length	260mm	500mm	1000mm	
Fixture Power	6W	12W	24W	
LEDs / Fixture	/	/	/	
Color Temperature	2700K, 3000K, 4000K			
Beam Angle	20° / 40° / 20°*40°			
Lumen Output /Length*	540 lm	1080 lm	2160 lm	
Fixture Efficiency				
Max Run Length				
Control Method	Not dimmable, DMX512			
CRI	90			
MacAdam Ellipse	<3 SDCM			
CCT Tolerance	100K			
Lumen Maintenance	-20°C-50°C, LED 50000H L90/B10-Ta25°			
Ambient Temperature	-40° C to 50° C			
Housing /Lens Materials	Housing: Extruded Aluminium / Lens: Clear UV Resistant PMMA Cover: Tempered Glass Housing, bracket, end cap material – 6063 high density aluminum alloy			
Connector/ Cable	300mm power and signal feed-in cable with 6-Pin connector (junction cable to be specified)			
IP Rating	IP66			
IK Rating	IK08			
Mounting Options	Large Tilttable Stand (180° adjustable) Mounting Arms (available in 2 different sizes)			
Housing Color	RAL 9001 Cream,RAL 9006 White aluminium,RAL 9011 Graphite black ,Anodised Charcoal grey			
Warranty	2 years			

*Lumen output measured @ 2700K,ambient temperature 25°C

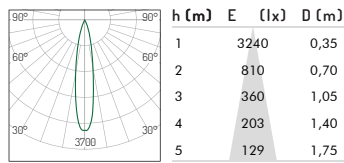
Ordering code

NO.	Housing Color	Watt	CRI	CCT	Beam Angle	Control Method	Input Voltage
70.0010	YW - Matt white YB - Matt black	006 - 6W 012 - 12W 024 - 24W	90	27 - 2700K 30 - 3000K 40 - 4000K	20 - 20° 40 - 40° CG - 20°x40°	F - Standard on-off P - Phase dimming A - 0/1-10V dimming D - Dali dimming	DC - DC 24 V AC - AC 220 V

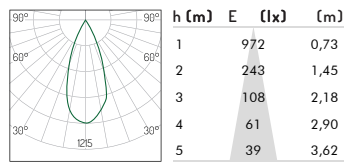
Example :70.0010YW006902720FDC

Photometric Distribution

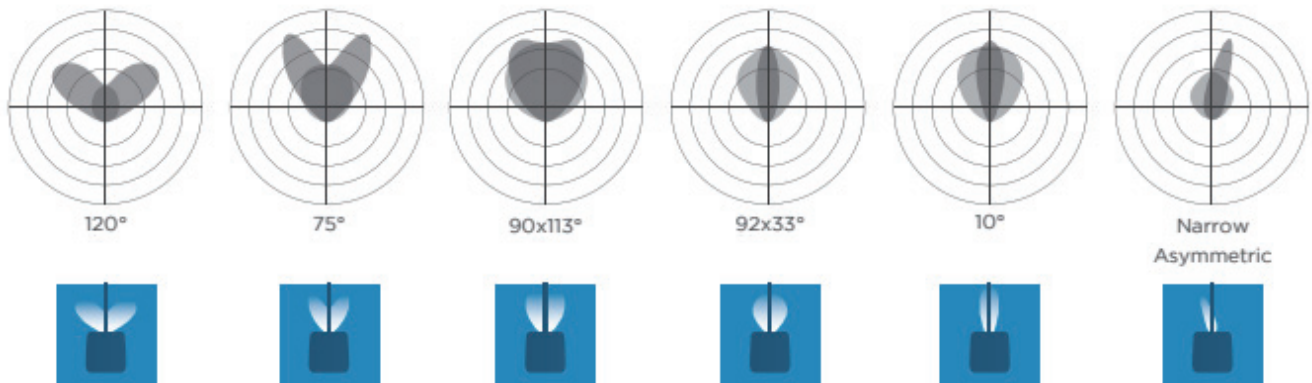
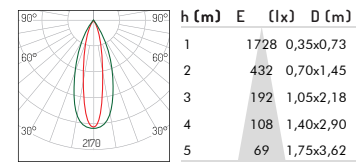
LV 6W 20° 4000K



LV 6W 40° 4000K

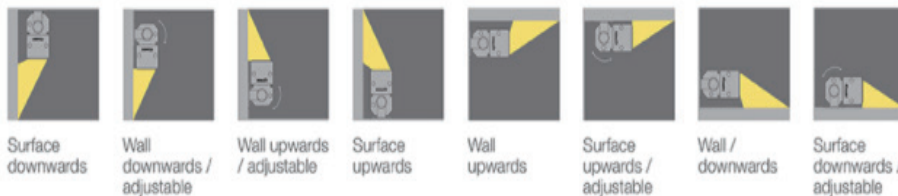


LV 6W 20°x40° 4000K

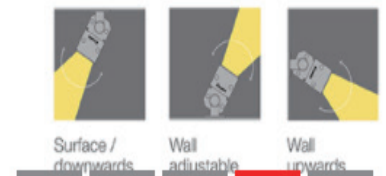


Application Guidance

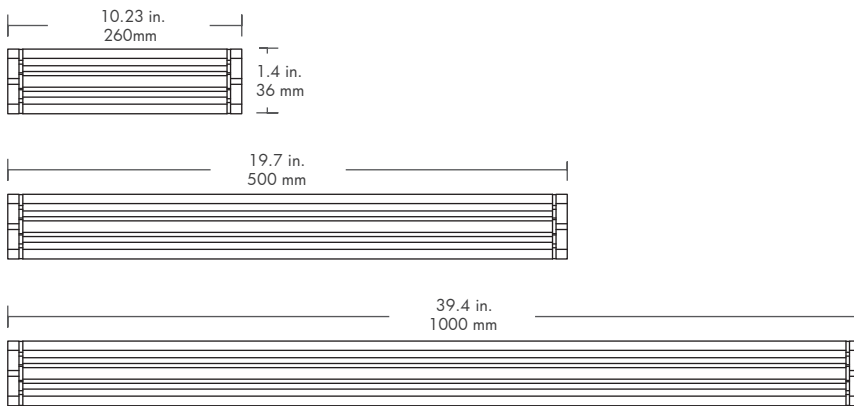
Wall grazing optics



Symmetrical optics



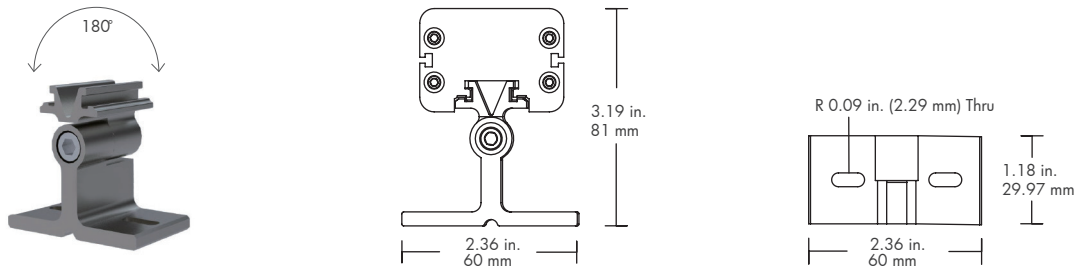
Product Dimensions



Mounting Accessories

Adjustable Bracket (two brackets included for each luminaires)

For adjustable mounting angles from 0-180°



Adjustable Arms

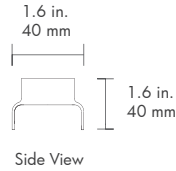
Adjustable arms designed for wall-mounted applications in three extendable options, the adjustability enable users to have different setbacks against the wall.



Optic Accessories

Symmetric Louver

For glare reduction
Note: This will affect beam angle

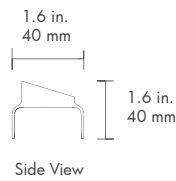
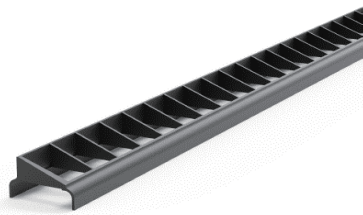


Ordering Code (need to order separately)

300 mm - XXXX
500 mm - XXXX
600 mm - XXXX
1000 mm - XXXX

Asymmetric Louver

For glare reduction
Note: This will affect beam angle



Ordering Code (need to order separately)

300 mm - XXXX
500 mm - XXXX
600 mm - XXXX
1000 mm - XXXX

Cables & Wiring Diagram

Part Number: MINICBLFB



2 Pin Power Feed Connector

Part Number: MINIJUMPMF

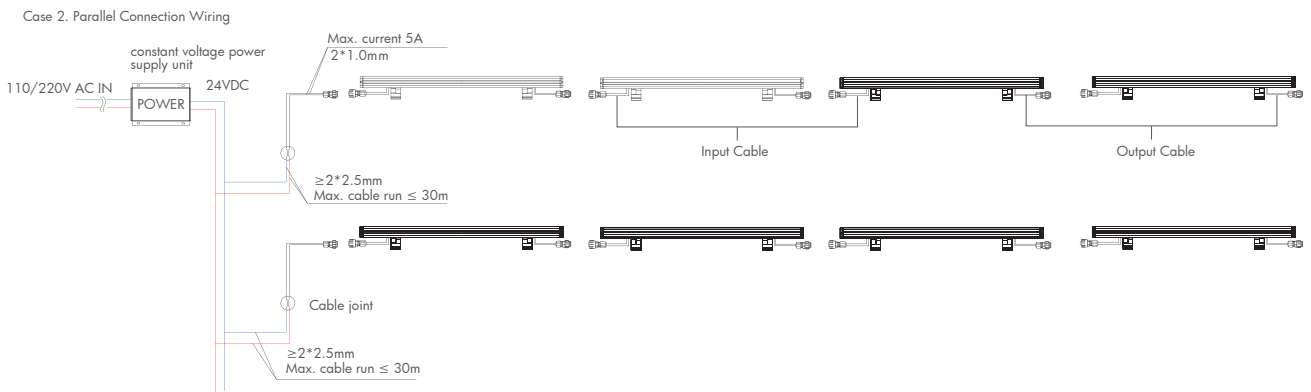
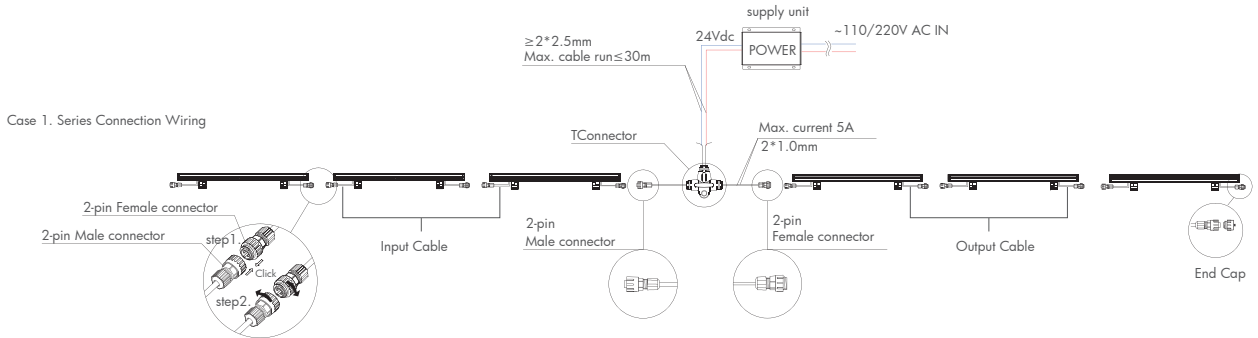


2 Pin Power Junction Connector

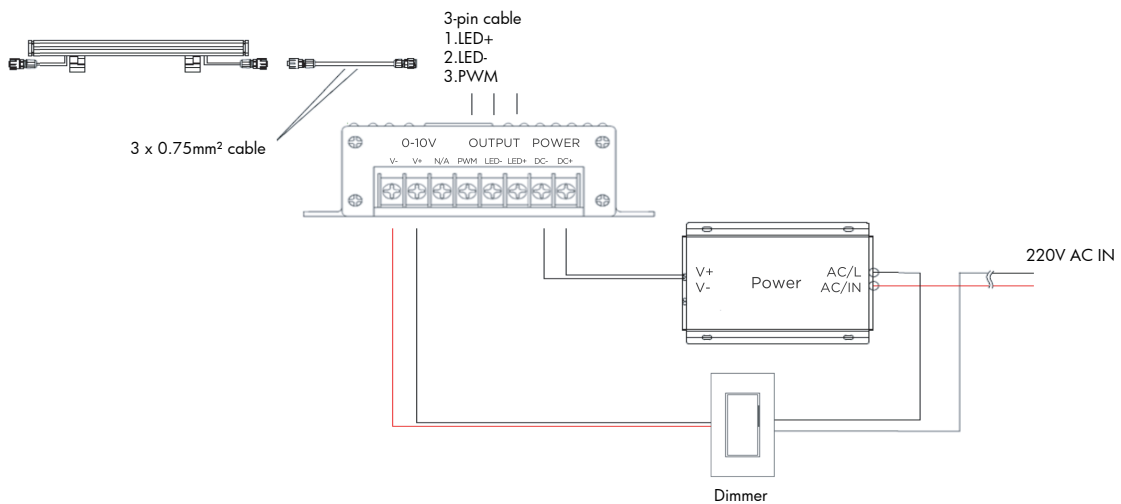
Ordering Code (order separately)

300 mm - XXXX
500 mm - XXXX
600 mm - XXXX
1000 mm - XXXX

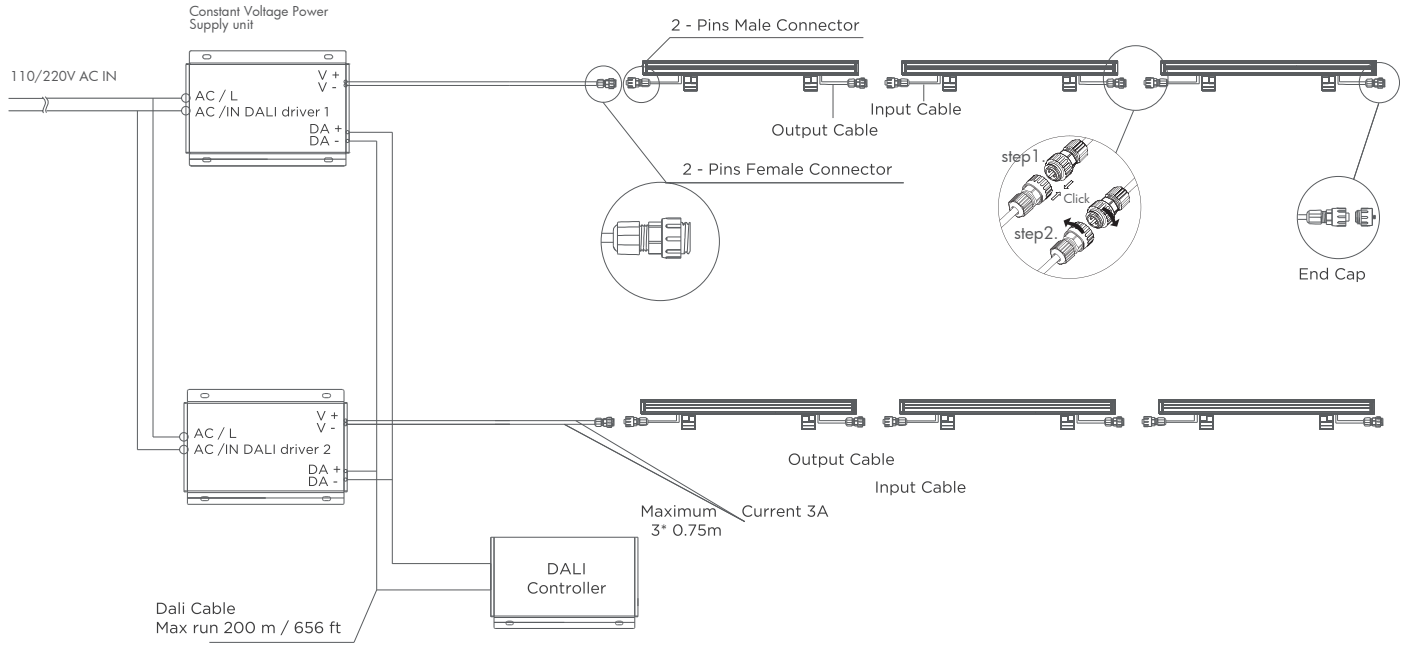
Not dimmable



0-10V DIMMING:



DALI DIMMING:



CONNECTORS:

