


ARTEMIS

Linear Direct-view Luminaires 

 Class III DC 24V	 IP Rating 65	 Material Aluminum	 Install Person/s 1x 				
--	---	--	--	---	---	---	---

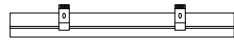
 **CAUTION** – This product must be installed by a qualified installer
Please read instruction manual carefully before installing luminaire

 **Surge Protection**
For comprehensive protection of a luminaire against electrical surges, surge protection shall be installed on the mains supply where required to protect luminaires and drivers from transient voltage damage.

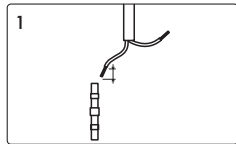
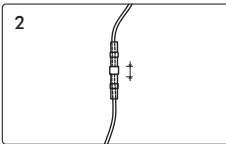
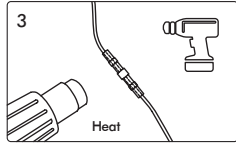
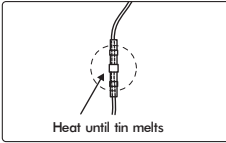
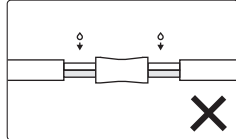
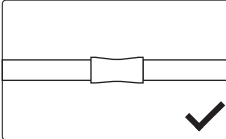
Warranty

Please read these installation instructions carefully before installing this product. This product must be installed and maintained by a suitably qualified person/s in compliance with the latest applicable regulations and relevant legislation. UOZU does not warrant any claim based on defects or damage caused by misuse, improper installation, improper operation and/or modifications carried out by the purchaser or third parties. This product shall not be used as a 'working light' during construction. This will result in the warranty of the product to be void. For warranty duration, please refer to the data sheet.

Product type



Wiring

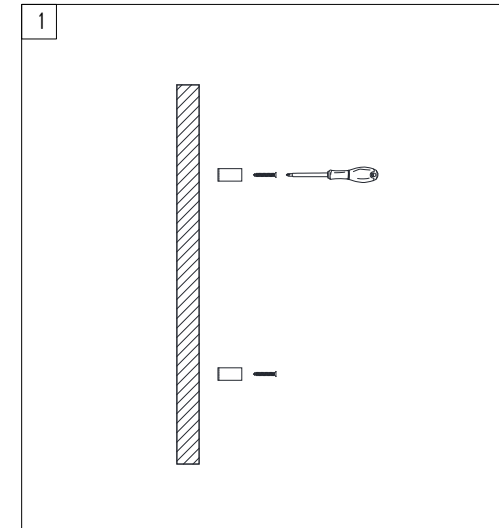
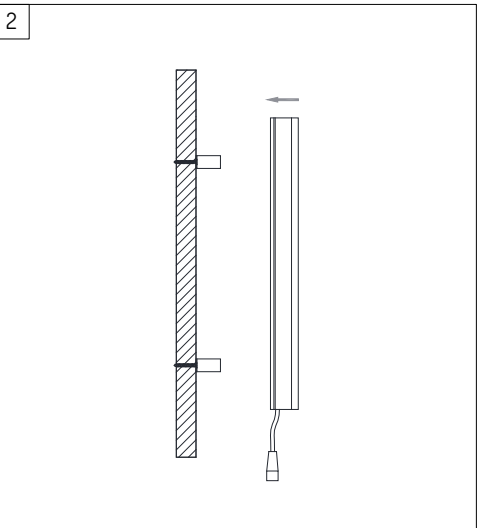
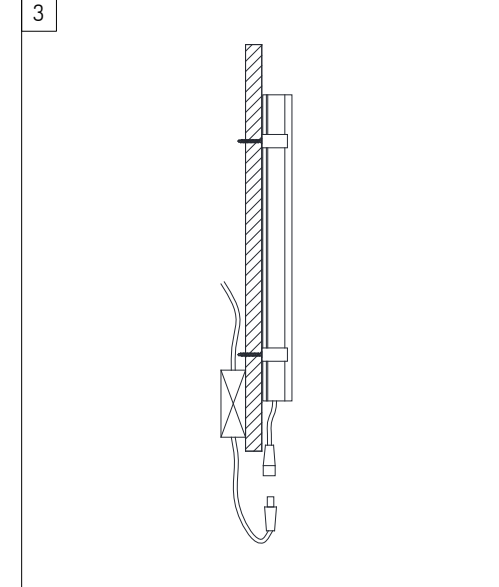
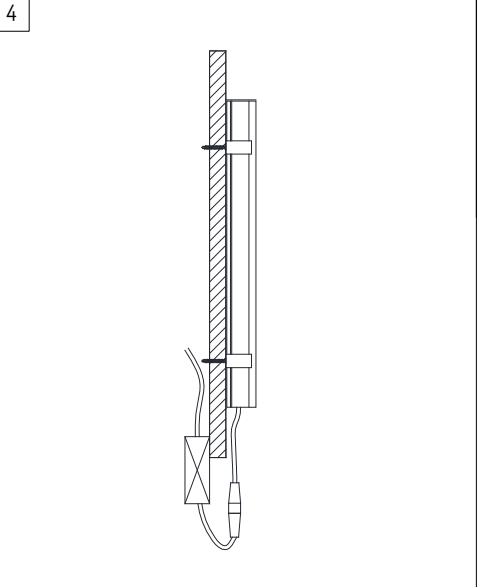
 1	 2
 3 Heat	 Heat until tin melts
 X	 ✓

Corrosion protection

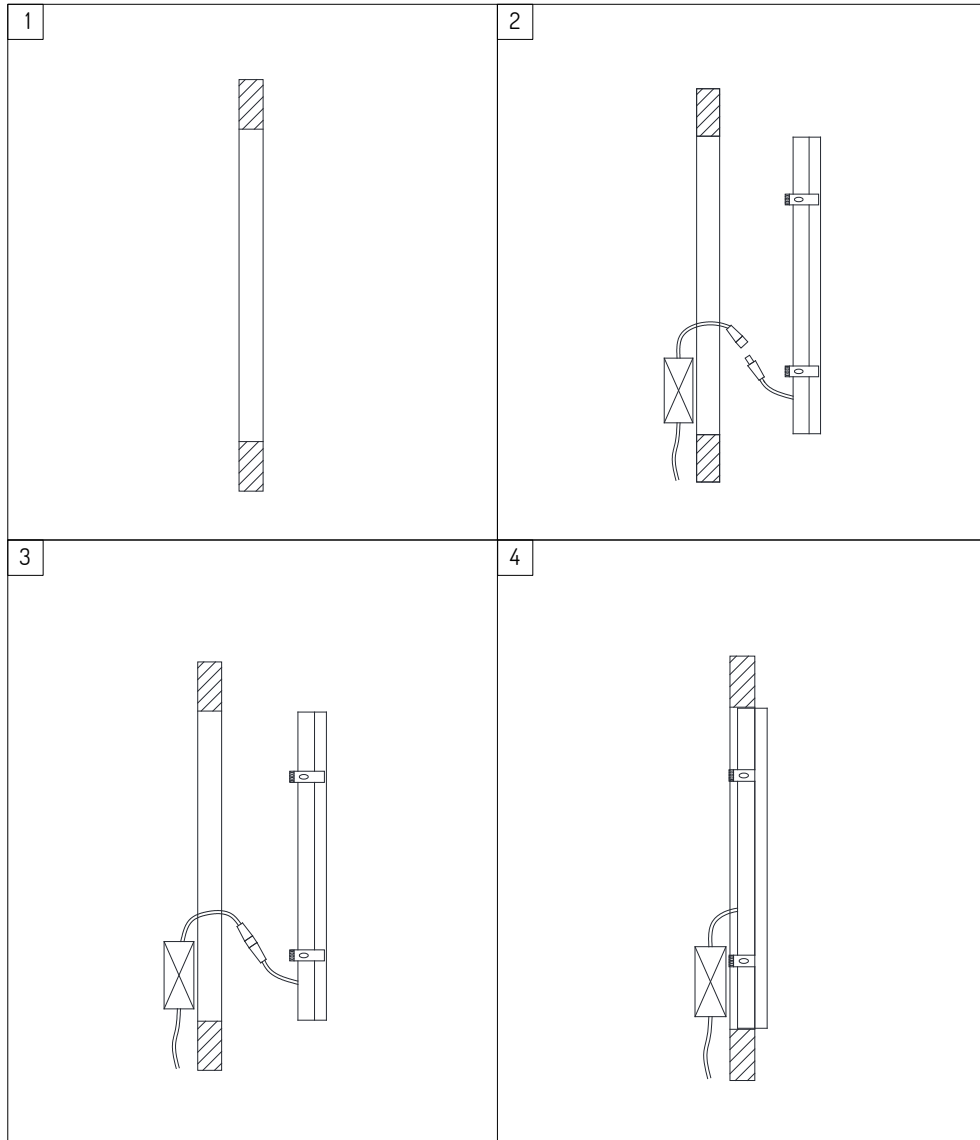
It is important to note that care must be taken during installation or maintenance to ensure that the surface of the luminaire is not damaged. Any damage, which is exposed to moisture will result in corrosion occurring.

Please also note that any chemical applications on the luminaire or chemical contact via installation will cause corrosion of the surface of the luminaire and will void the warranty.

Surface-mounted Installation

 1	 2
 3	 4

Semi-Recessed Installation



Recessed Installation

