


INFINITO

Professional Linear Lights 

 Class I 220V	 IP Rating 20	 Material Aluminium	 Install Person/s 1-2x				
--	---	---	--	---	---	---	---

 **CAUTION** – This product must be installed by a qualified installer
Please read instruction manual carefully before installing luminaire

 **Surge Protection**
For comprehensive protection of a luminaire against electrical surges, surge protection shall be installed on the mains supply where required to protect luminaires and drivers from transient voltage damage.

Warranty

Please read these installation instructions carefully before installing this product. This product must be installed and maintained by a suitably qualified person/s in compliance with the latest applicable regulations and relevant legislation. UOZU does not warrant any claim based on defects or damage caused by misuse, improper installation, improper operation and/or modifications carried out by the purchaser or third parties. This product shall not be used as a 'working light' during construction. This will result in the warranty of the product to be void. For warranty duration, please refer to the data sheet.

ESD Protection

When Handling this product, care must be taken so that the LED strip is not damaged. Damage due to inappropriate handling is not covered by warranty.

- The following precautions must be taken:
- Ensure device is switched off and disconnected from power supply.
 - During assembly/disassembly, care must be taken during handling of LED strip.
 - Always ensure to discharge yourself of all charge by touching a grounded bare metal surface or approved anti-static mat before working on device.



ESD Protection

CAUTION
Contains parts and assemblies susceptible to damage by electrostatic discharge (ESD)

Corrosion protection

It is important to note that care must be taken during installation or maintenance to ensure that the surface of the luminaire is not damaged. Any damage, which is exposed to moisture will result in corrosion occurring.

Please also note that any chemical applications on the luminaire or chemical contact via installation will cause corrosion of the surface of the luminaire and will void the warranty.

Disposal

Ensure correct disposal of this product (waste electrical and electronic equipment).

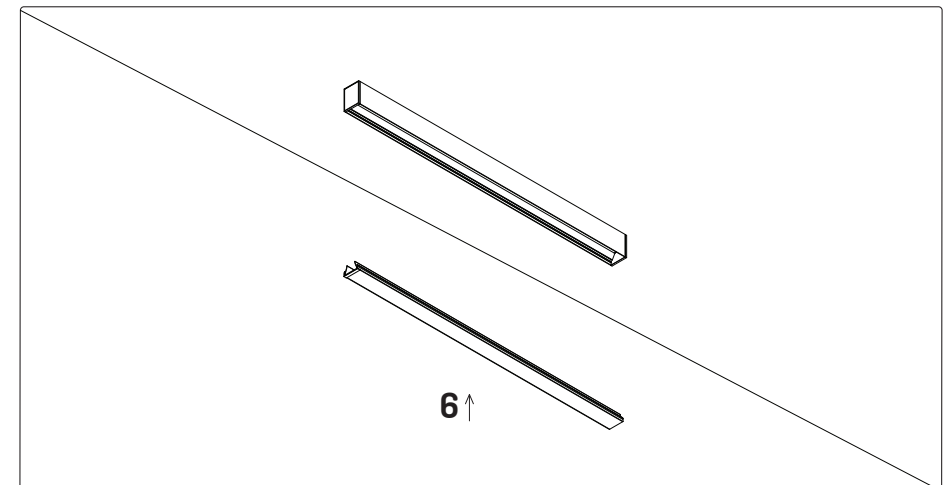
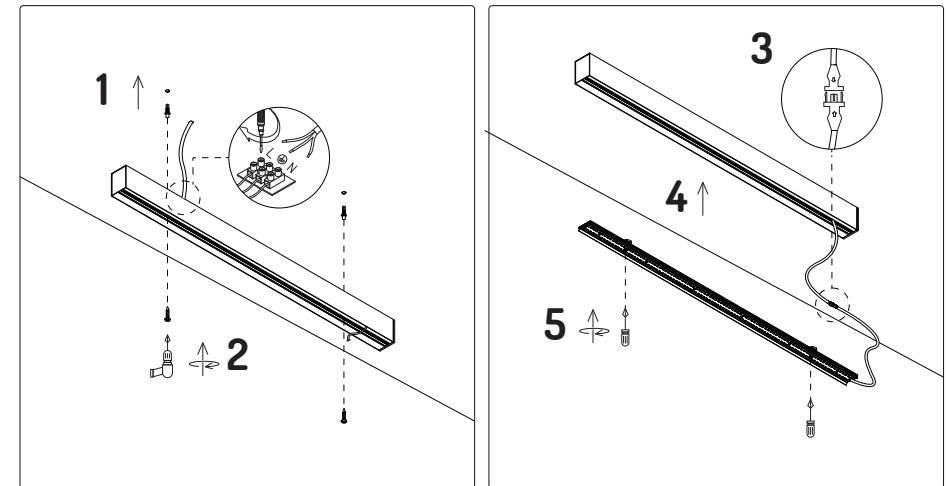
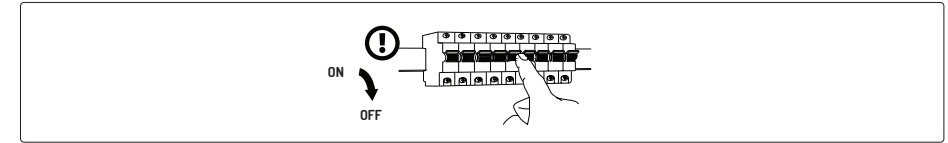


Ambient Conditions

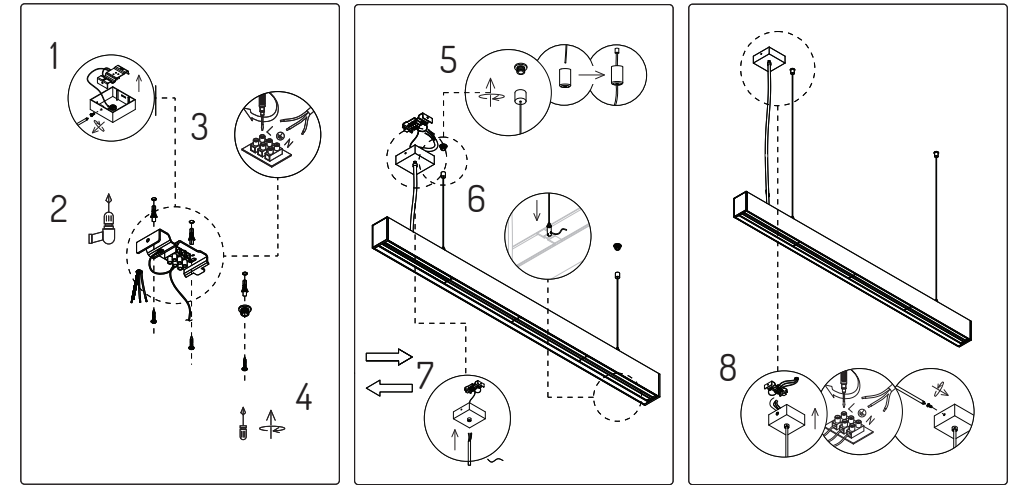
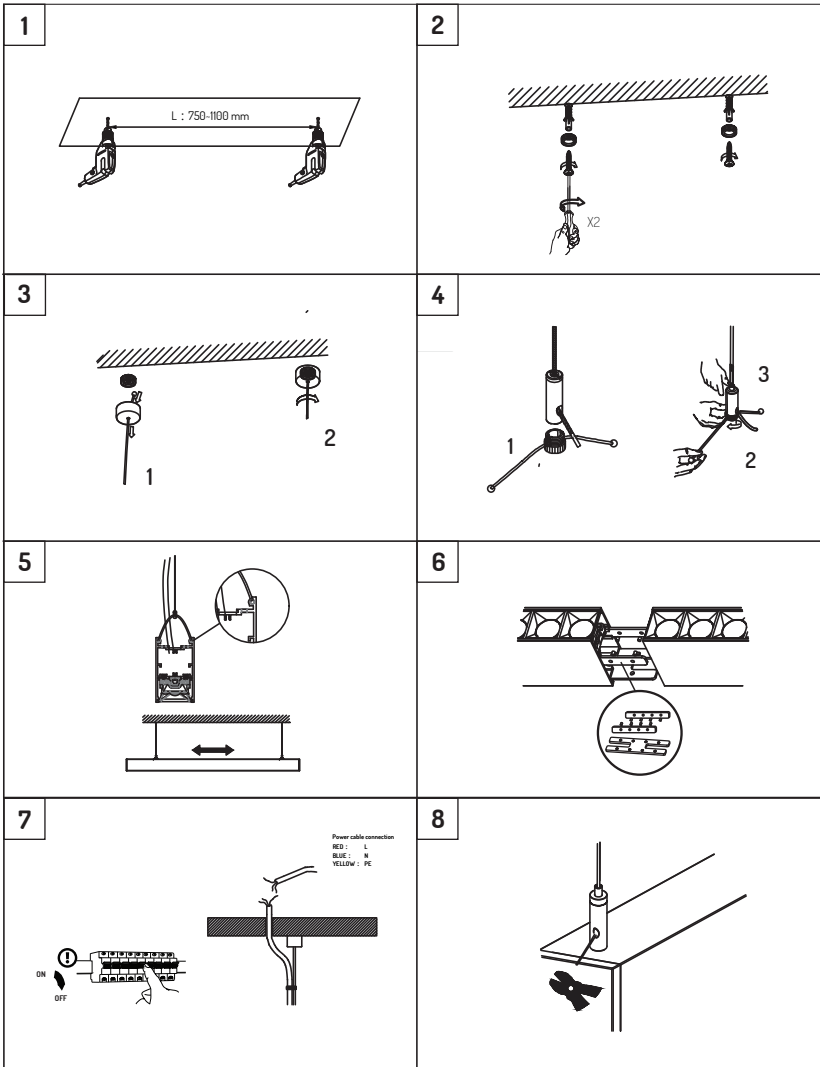
Recommended to install in an ambient temperature <35°C.



Surface Mounted



Wire Suspension Installation



Parts

