



## Features

The Cassiopea family includes a group of wall washers for outdoor spaces. They have a body of light aluminum with powder coating and a pre-treatment for outdoor use, clear glass, and a silicon rubber gasket. They have an IP66 rating and employ the newest generation of light sources, thus achieving a low heat resistance and high lighting efficiency. They are available in a variety of color temperatures and different body colors.



## Product Specifications

Input Voltage	DC 24V or AC 110V - 277V			
Length	300mm	600mm	900mm	1200mm
Fixture Power	9W	18W	27W	36W
LEDs / Fixture	/	/	/	/
Color Temperature	2700K, 3000K, 4000K			
Beam Angle	15° / 40° / 20°*40°			
Lumen Output /Length*	810 lm	1620 lm	2430 lm	3240 lm
Fixture Efficiency				
Max Run Length				
Control Method	Not dimmable, DMX512			
CRI	90			
MacAdam Ellipse	<3 SDCM			
CCT Tolerance	100K			
Lumen Maintenance				
Ambient Temperature	-40° C to 50° C			
Housing /Lens Materials	Housing: Extruded Aluminium / Lens: Clear UV Resistant PMMA Cover: Tempered Glass Housing, bracket, end cap material – 6063 high density aluminum alloy			
Connector/ Cable	300mm power and signal feed-in cable with 6-Pin connector (junction cable to be specified)			
IP Rating	IP66			
IK Rating	IK08			
Mounting Options	Large Tilttable Stand (180° adjustable) Mounting Arms (available in 2 different sizes)			
Housing Color	RAL 9001 Cream, RAL 9006 White aluminium, RAL 9011 Graphite black, Anodised Charcoal grey			
Warranty	2 years			

\*Lumen output measured @ 2700K, ambient temperature 25°C

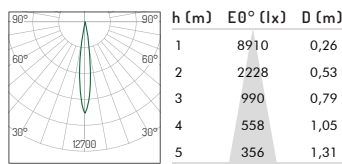
**Ordering code**

NO.	Housing Color	Watt	CRI	CCT	Beam Angle	Control Method	Input Voltage
70.0020	YW - Matt white YB - Matt black	009 - 9W 018 - 18W 027 - 27W 036 - 36W	90	27 - 2700K 30 - 3000K 40 - 4000K	15 - 15° 40 - 40° CG - 20°x40°	F - Standard on-off P - Phase dimming A - 0/1-10V dimming D - Dali dimming	DC - DC 24 V AC - AC 220 V

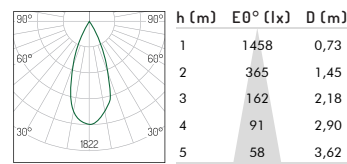
Example :70.0020YW009902715FAC

**Photometric Distribution**

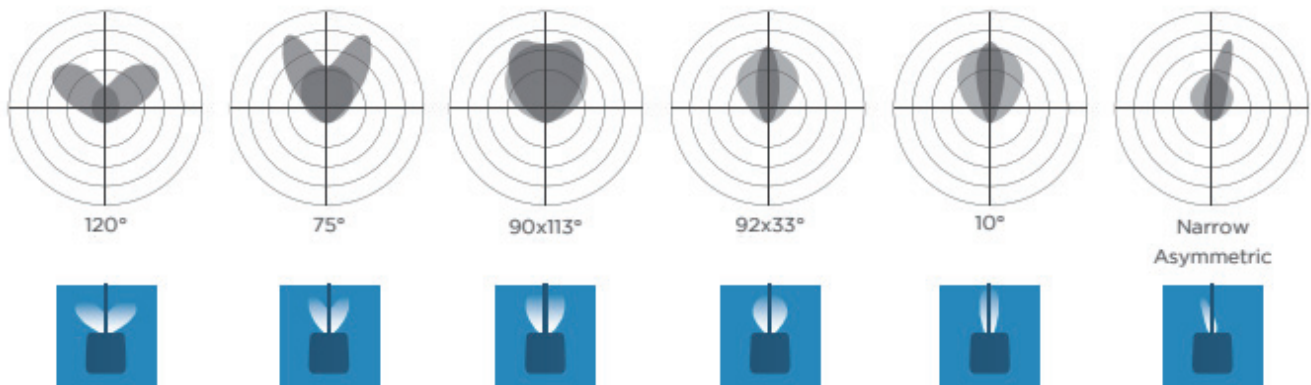
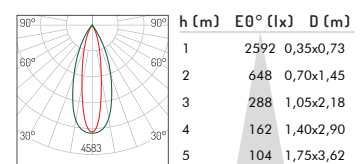
HV 9W 15° 4000K



HV 9W 40° 4000K

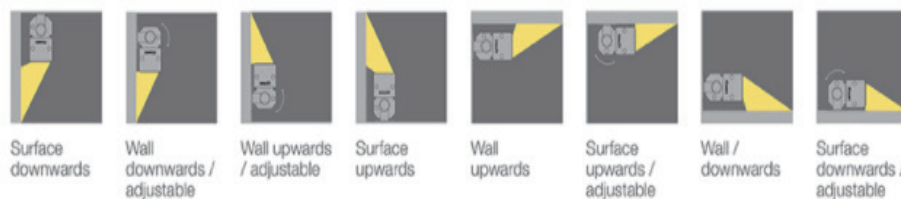


HV 9W 20°x40° 4000K



**Application Guidance**

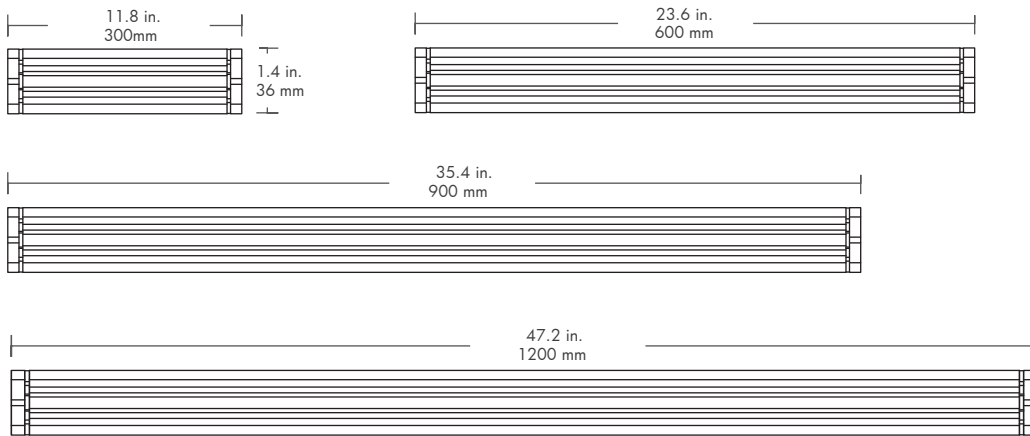
**Wall grazing optics**



**Symmetrical optics**



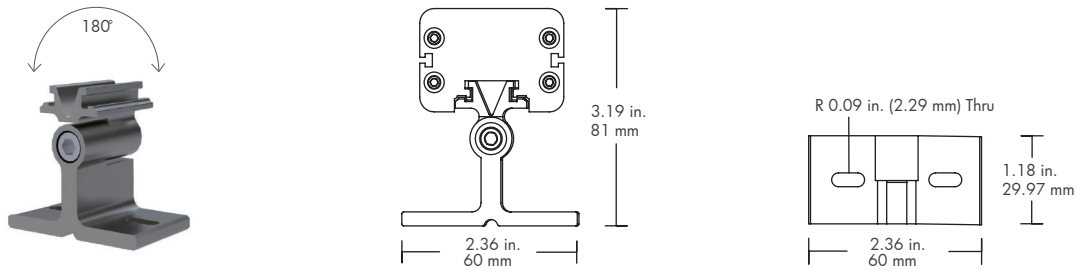
## Product Dimensions



## Mounting Accessories

### Adjustable Bracket (two brackets included for each luminaires)

For adjustable mounting angles from 0-180°



### Adjustable Arms

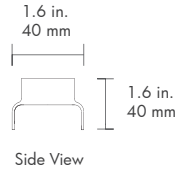
Adjustable arms designed for wall-mounted applications in three extendable options, the adjustability enable users to have different setbacks against the wall.



## Optic Accessories

### Symmetric Louver

For glare reduction  
Note: This will affect beam angle

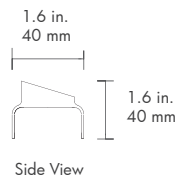
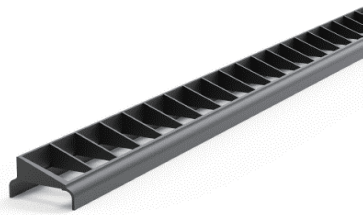


#### Ordering Code ( need to order separately )

300 mm - XXXX  
500 mm - XXXX  
600 mm - XXXX  
1000 mm - XXXX

### Asymmetric Louver

For glare reduction  
Note: This will affect beam angle



#### Ordering Code ( need to order separately )

300 mm - XXXX  
500 mm - XXXX  
600 mm - XXXX  
1000 mm - XXXX

## Cables & Wiring Diagram

Part Number: MINICBLFB



2 Pin Power Feed Connector

Part Number: MINIJUMPMF

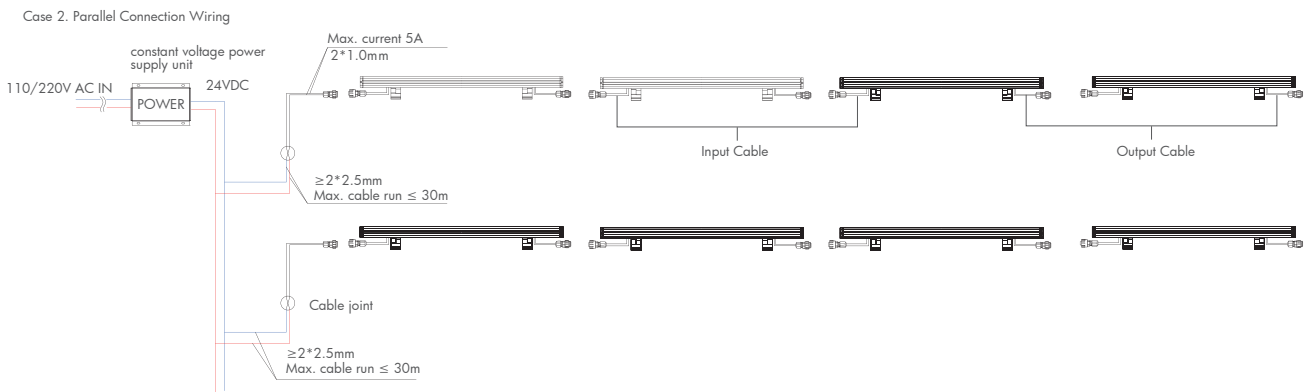
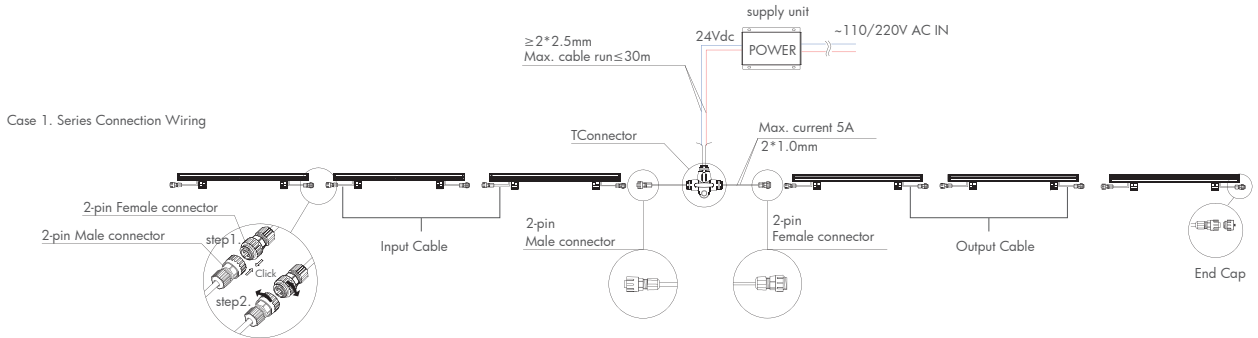


2 Pin Power Junction Connector

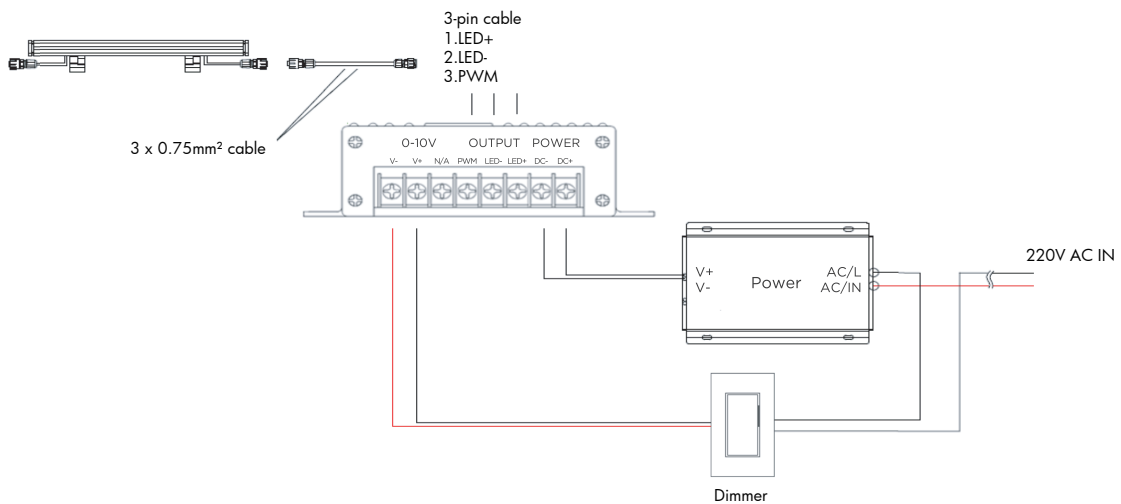
#### Ordering Code ( order separately )

300 mm - XXXX  
500 mm - XXXX  
600 mm - XXXX  
1000 mm - XXXX

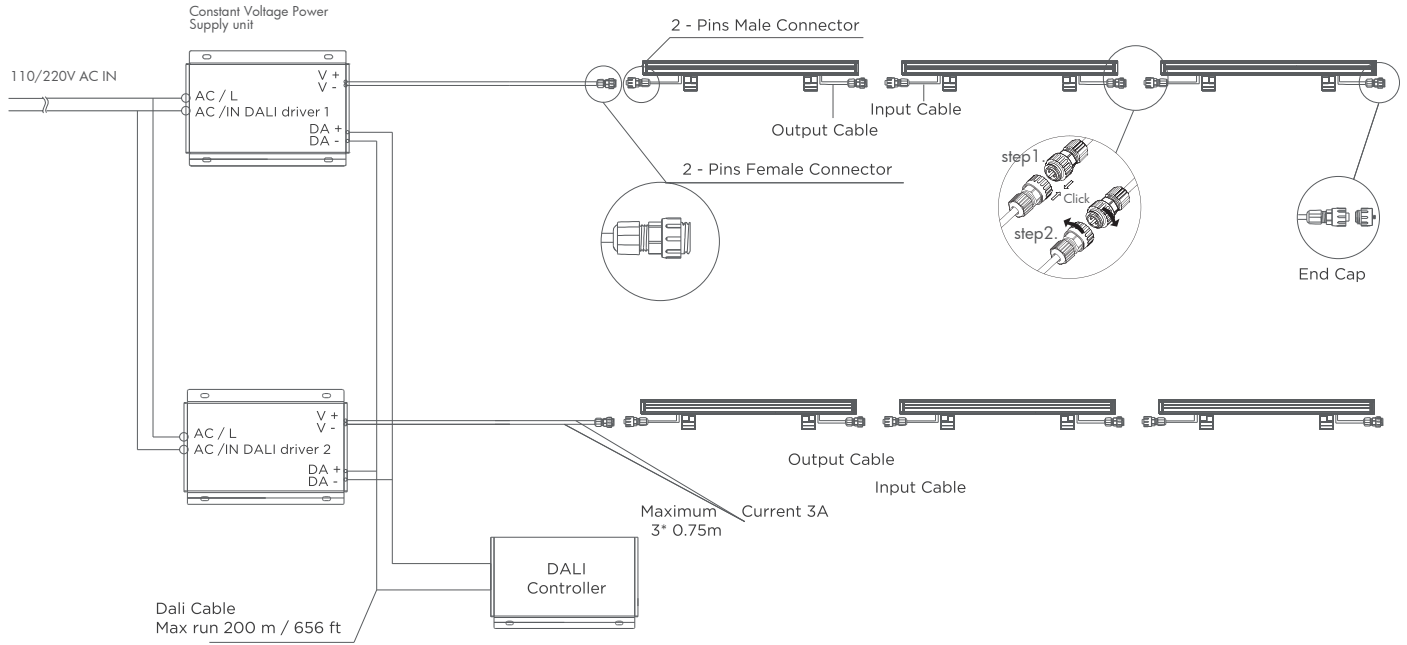
Not dimmable



0-10V DIMMING:



**DALI DIMMING:**



**CONNECTORS:**

