



Features

The Cassiopea family includes a group of wall washers for outdoor spaces. They have a body of light aluminum with powder coating and a pre-treatment for outdoor use, clear glass, and a silicon rubber gasket. They have an IP66 rating and employ the newest generation of light sources, thus achieving a low heat resistance and high lighting efficiency. They are available in a variety of color temperatures and different body colors.



Product Specifications

| | | | | |
|-------------------------|---|---------|---------|---------|
| Input Voltage | DC 24 V or AC 110V - 277V | | | |
| Length | 410mm | 605mm | 900mm | 1190mm |
| Fixture Power | 20W | 30W | 45W | 60W |
| LEDs / Fixture | / | / | / | / |
| Color Temperature | 2700K ~ 6500K | | | |
| Beam Angle | 15° / 25° / 35° / 50° / 15°x50 | | | |
| Lumen Output /Length* | 1800 lm | 2700 lm | 4050 lm | 5400 lm |
| Fixture Efficiency | | | | |
| Max Run Length | | | | |
| Control Method | DMX512 | | | |
| CRI | 90 | | | |
| MacAdam Ellipse | <3 SDCM | | | |
| CCT Tolerance | 100K | | | |
| Lumen Maintenance | | | | |
| Ambient Temperature | -40° C to 50° C | | | |
| Housing /Lens Materials | Housing: Extruded Aluminium / Lens: Clear UV Resistant PMMA Cover: Tempered Glass Housing, bracket, end cap material – 6063 high density aluminum alloy | | | |
| Connector/ Cable | 300mm power and signal feed-in cable with 6-Pin connector (junction cable to be specified) | | | |
| IP Rating | IP66 | | | |
| IK Rating | IK08 | | | |
| Mounting Options | Large Tilttable Stand (180° adjustable) Mounting Arms (available in 2 different sizes) | | | |
| Housing Color | RAL 9001 Cream, RAL 9006 White aluminium, RAL 9011 Graphite black, Anodised Charcoal grey | | | |
| Warranty | 2 years | | | |

*Lumen output measured @ 2700K, ambient temperature 25°C

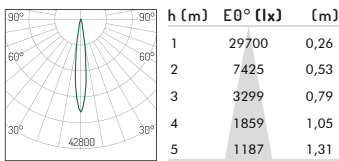
Ordering code

| NO. | Housing Color | Watt | CRI | CCT | Beam Angle | Control Method | Input Voltage |
|---------|------------------------------------|--|-----|--------------------------|--|---|-------------------------------|
| 70.1040 | YW - Matt white YB - Matt black | 020 - 20W 030 - 30W 045 - 45W 060 - 60W | 90 | 27 - 2700K 65 - 6500K | 15 - 15° 25 - 25° 35 - 35° 50 - 50° BI - 15°x50° | F - Standard on-off P - Phase dimming A - 0/1-10V dimming D - Dali dimming | DC - DC 24 V AC - AC 220 V |

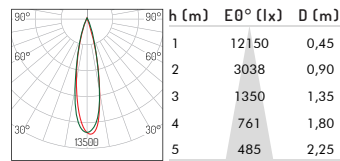
Example :70.1040YW020902715FAC

Photometric Distribution

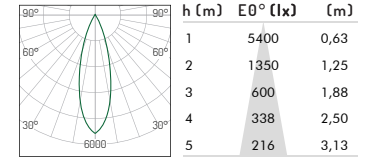
LV/HV 30W 15° Two Channels On



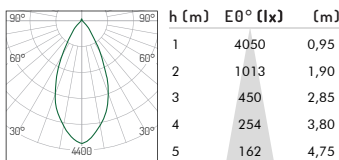
LV/HV 30W 25° Two Channels On



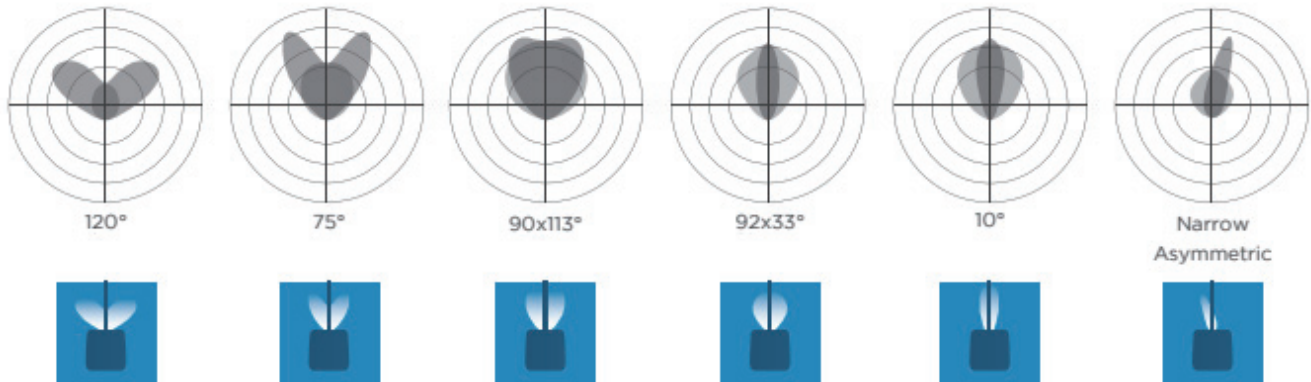
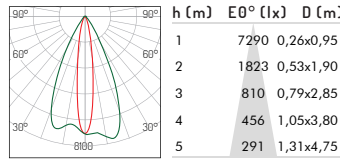
LV/HV 30W 35° Two Channels On



LV/HV 30W 50° Two Channels On

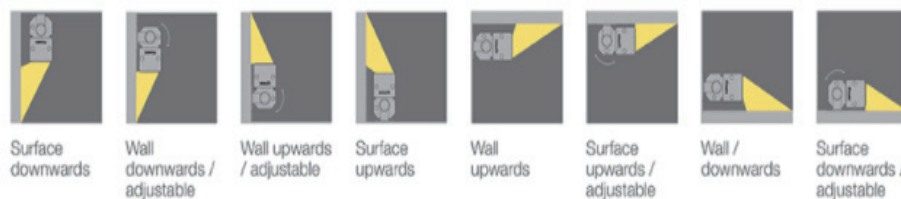


LV/HV 30W 15°x50° Two Channels On

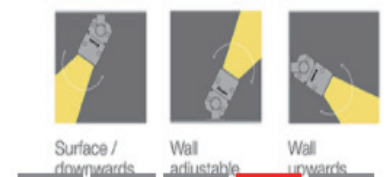


Application Guidance

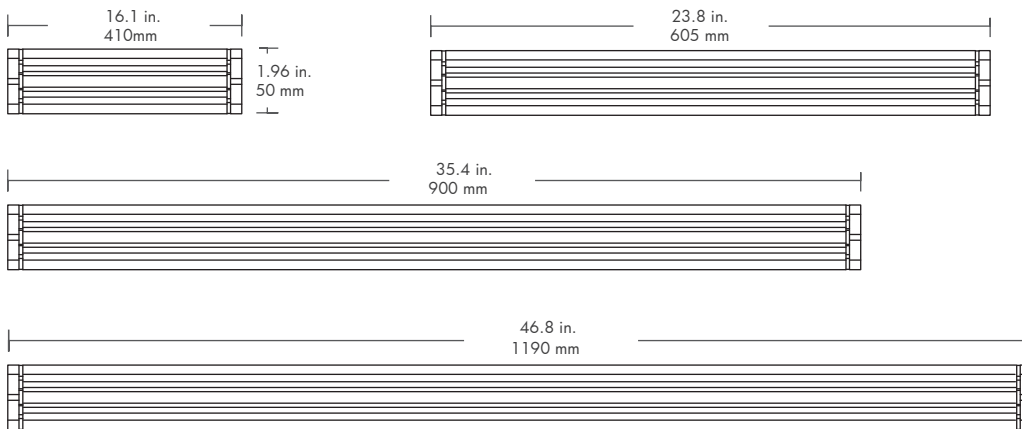
Wall grazing optics



Symmetrical optics



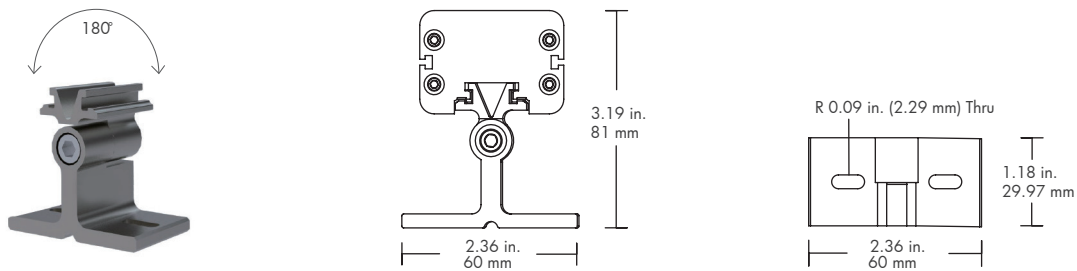
Product Dimensions



Mounting Accessories

Adjustable Bracket (two brackets included for each luminaires)

For adjustable mounting angles from 0-180°



Adjustable Arms

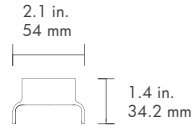
Adjustable arms designed for wall-mounted applications in three extendable options, the adjustability enable users to have different setbacks against the wall.



Optic Accessories

Symmetric Louver

For glare reduction
 Note: This will affect beam angle



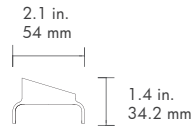
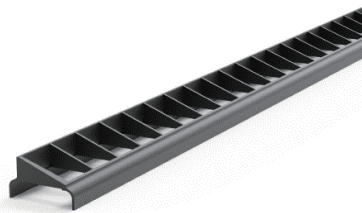
Side View

Ordering Code (need to order separately)

- 300 mm - XXXX
- 500 mm - XXXX
- 600 mm - XXXX
- 1000 mm - XXXX

Asymmetric Louver

For glare reduction
 Note: This will affect beam angle



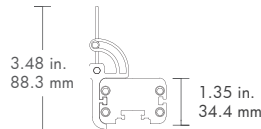
Side View

Ordering Code (need to order separately)

- 300 mm - XXXX
- 500 mm - XXXX
- 600 mm - XXXX
- 1000 mm - XXXX

Glare Shield

To reduce glare or redirect light



Side View

Ordering Code (need to order separately)

- 300 mm - XXXX
- 500 mm - XXXX
- 600 mm - XXXX
- 1000 mm - XXXX

Cables & Wiring Diagram

Part Number: MINICBLFB



2 Pin Power Feed Connector

Part Number: MINIJUMPMF

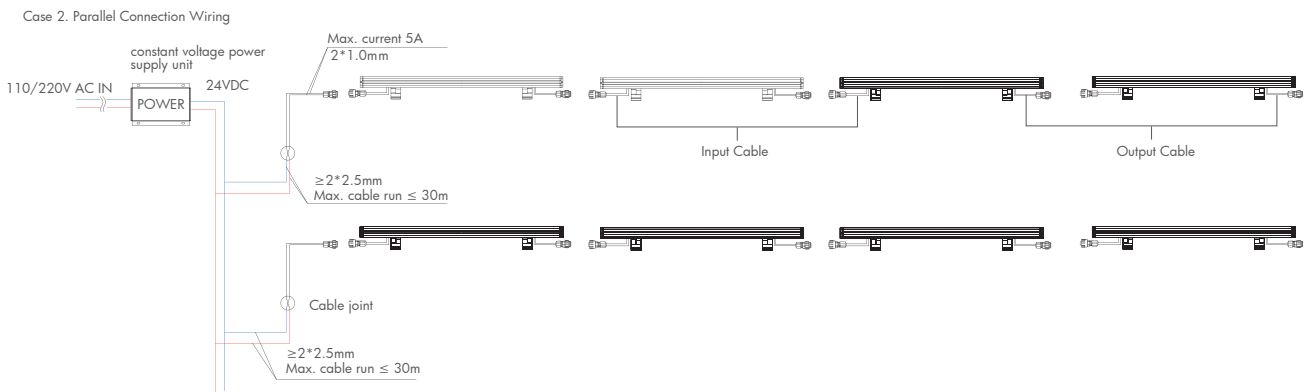
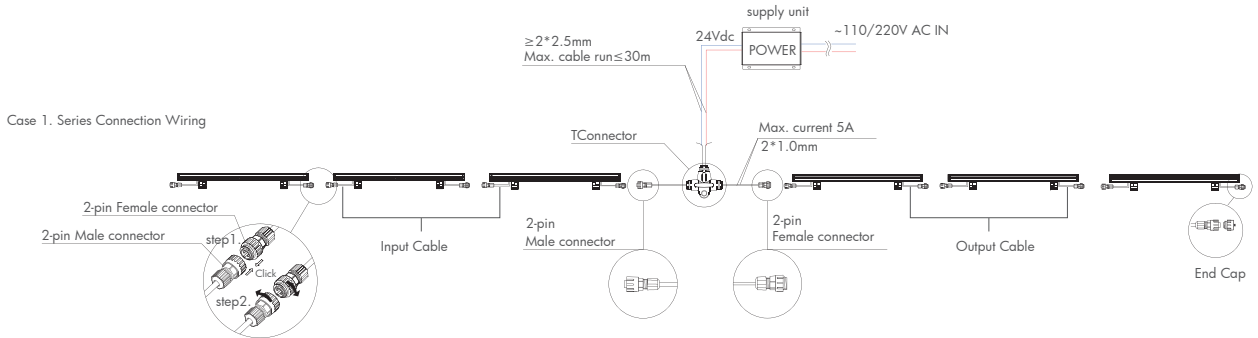


2 Pin Power Junction Connector

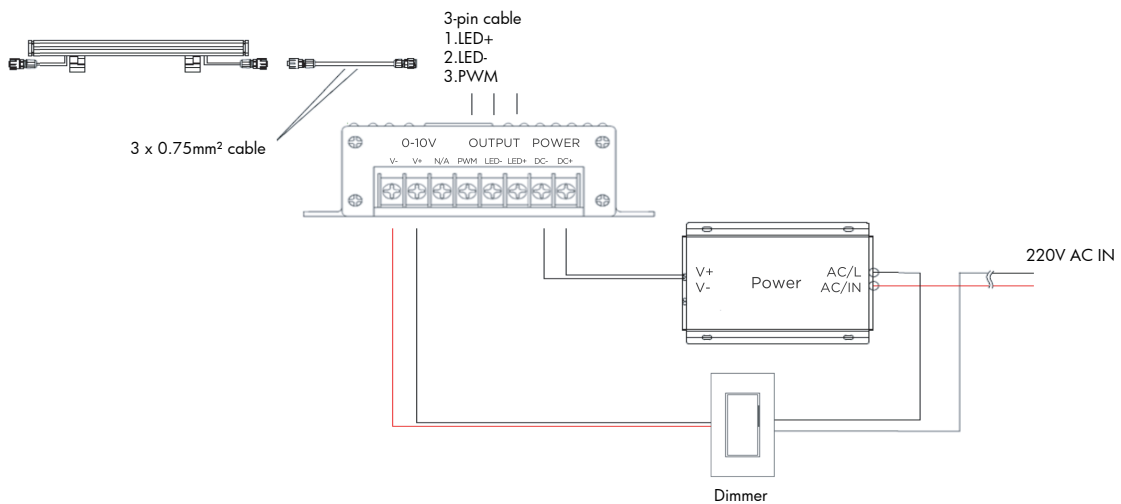
Ordering Code (order separately)

- 300 mm - XXXX
- 500 mm - XXXX
- 600 mm - XXXX
- 1000 mm - XXXX

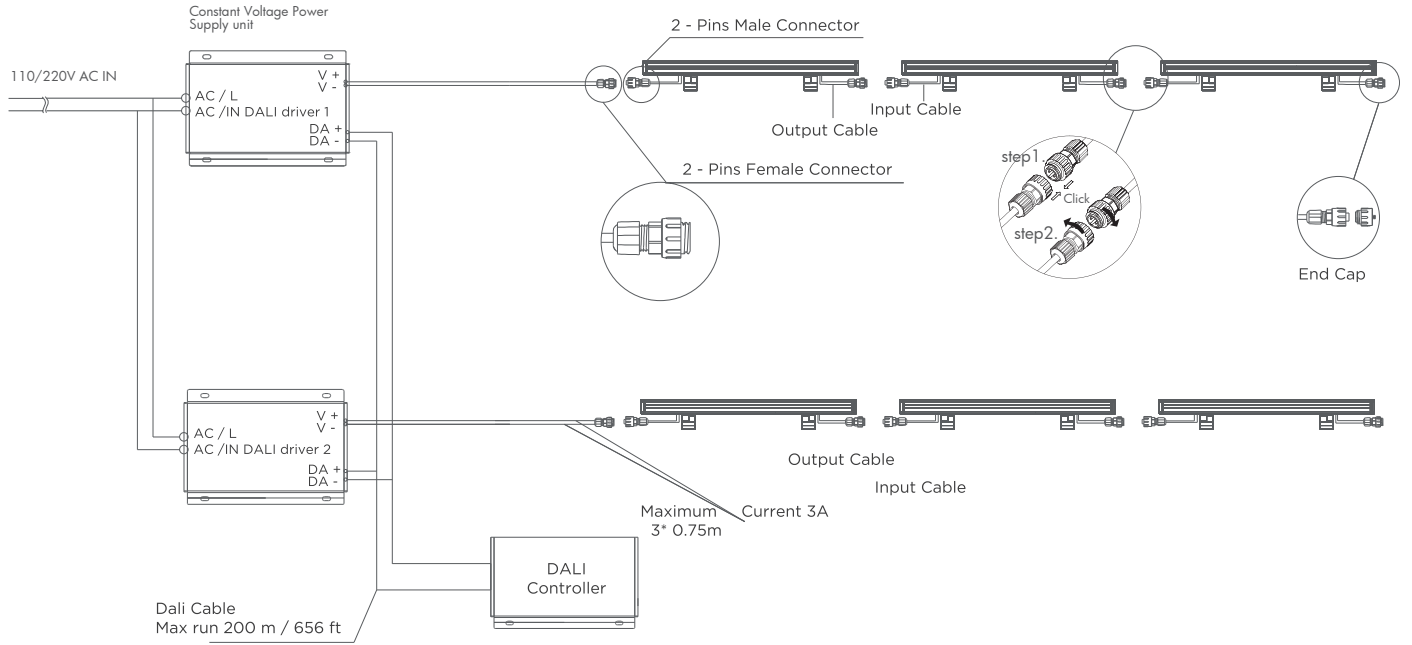
Not dimmable



0-10V DIMMING:



DALI DIMMING:



CONNECTORS:

